

# Gigabit Transformer Modules With Power Over Ethernet Option



RoHS Compliant

## PART NUMBERING SYSTEM

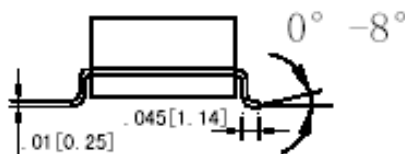
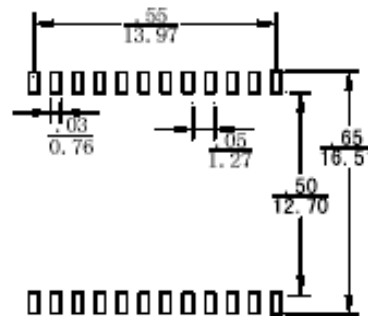
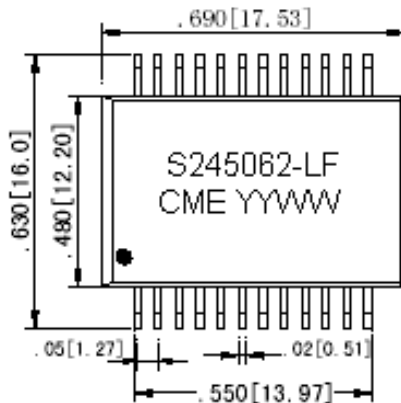
**S24** — **5062** — **LF**  
TYPE DIMENSIONS LEAD FREE

## FEATURES

- Meets IEEE 802.3 specification
- For RoHS part add suffix LF
- RoHS compliant peak solder rating 235°C

## SHAPES AND DIMENSIONS

### Mechanicals



Dimensions:  $\frac{\text{INCH}}{\text{MM}}$  Unless otherwise specified are  $\pm 0.01$

# Gigabit Transformer Modules With Power Over Ethernet Option

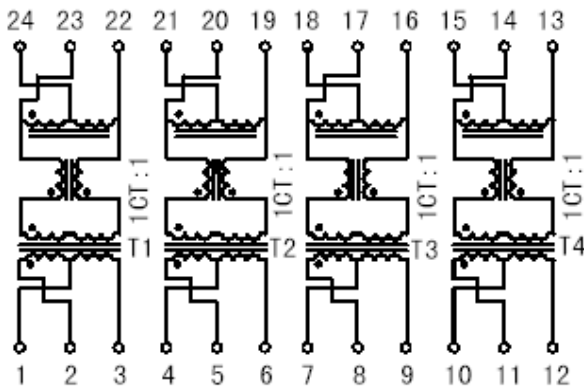


## FEATURES

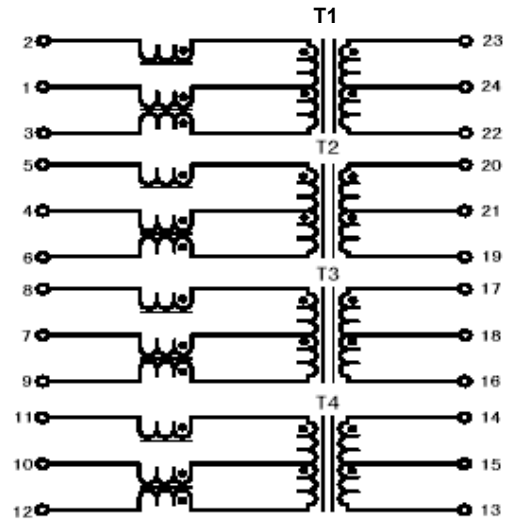
- Meets IEEE 802.3 specification
- For RoHS part add suffix LF
- RoHS compliant peak solder rating 235°C

## Schematics

### S24-5062-LF



### S24-6062-LF



## ELECTRICAL CHARACTERISTICS @ 25°C --- Operating Temperature 0°C to 70°C

PART NUMBER	PoE	Turns Ratio		Insertion Loss (dB Max)			Return loss (Zout = 100Ω ± 15% Min) MHz				Crosstalk (dB Min) MHz			Hipot (Vrms Min)
		TX	RX	0.1MHz	100MHz	125MHz	30	60	80	100	30	60	100	
S24-5062-LF	No	1:1	1:1	-1.1	-1.0	-2.0	-18	-12	-12	-10	-43	-37	-33	1500
S24-6062-LF	Yes	1:1	1:1	-1.1	-1.0	-2.0	-18	-12	-12	-10	-43	-37	-33	1500