

10/100Base-TX Quad Port Transformers



RoHS Compliant

PART NUMBERING SYSTEM

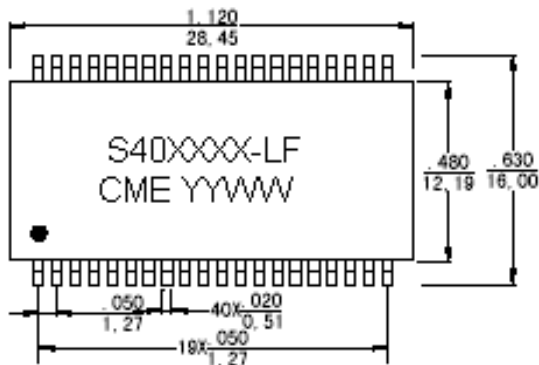


FEATURES

- Symmetrical TX and RX channels for Auto MDI/MDIX capability
- Approved for use with the broadcom BCM5226 and Level one LXT9783
- Compliant with IEEE 802.3u and ANSI X3.263 standards including 350uH OCL with 8 mA bias
- 1500 Vrms Isolation voltage
- RoHS compliant peak solder rating 235°C

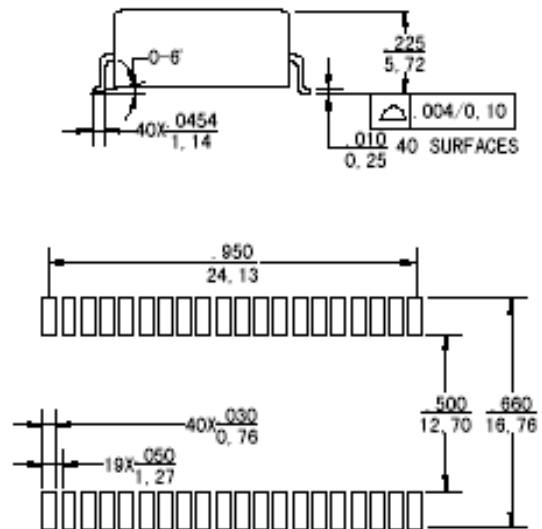
SHAPES AND DIMENSIONS

Mechanicals



Dimensions: Inches
mm

Unless otherwise specified
all tolerances are $\pm \frac{.010}{0.25}$

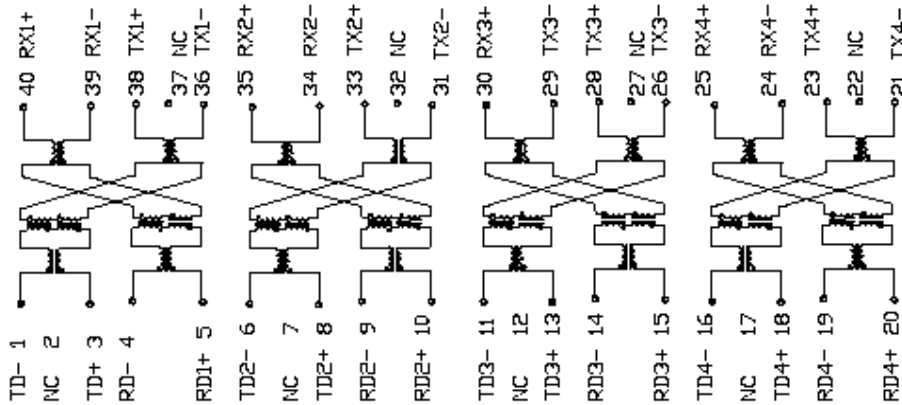




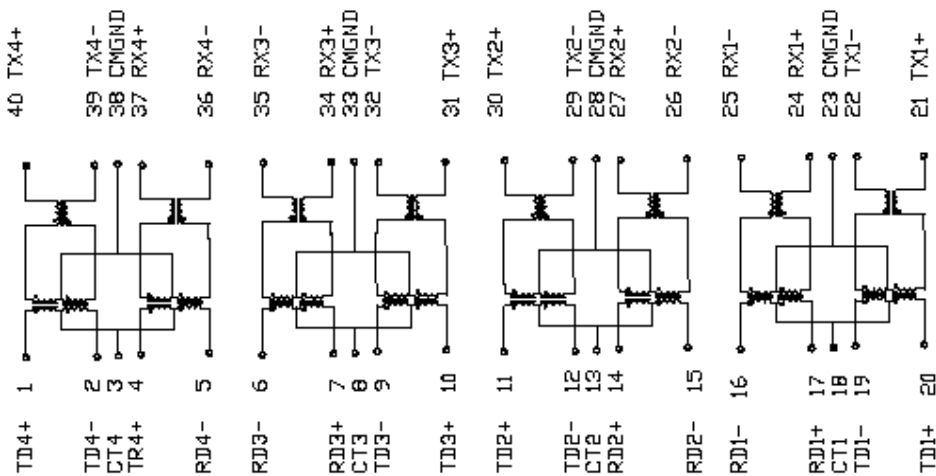
RoHS Compliant

10/100Base-TX Quad Port Transformers

S40-1140-LF , S40-1240-LF



S40-1164-LF , S40-1234-LF



10/100Base-TX Quad Port Transformers



RoHS Compliant

FEATURES

- Symmetrical TX and RX channels for Auto MDI/MDIX capability
- Approved for use with the broadcom BCM5226 and Level one LXT9783
- Compliant with IEEE 802.3u and ANSI X3.263 standards including 350uH OCL with 8 mA bias
- 1500 Vrms Isolation voltage
- **RoHS compliant peak solder rating 235°C**

ELECTRICAL CHARACTERISTICS @ 25°C --- Operating Temperature 0°C to 70°C

PART NUMBER	Insertion Loss(dB Typ)	Return loss (dB Min) MHz				Crosstalk (dB Min) MHz				Differential to Common Mode Rejection (dB Typ)		Hipot (Vrms)
		0.1-100MHz	2-30	40	50	60-80	1	30	60	100	1-60MHz	
S40-1140-LF	-0.5	-21	-17	-14.5	-12	-65	-55	-45	-35	-30	-30	1500
S40-1164-LF	-0.5	-21	-17	-14.5	-12	-65	-55	-45	-35	-30	-30	1500
S40-1234-LF	-0.5	-21	-17	-14.5	-12	-65	-50	-40	-30	-30	-30	1500
S40-1240-LF	-0.5	-21	-17	-14.5	-12	-65	-50	-40	-30	-30	-30	1500