

10/100Base-TX Quad Port Transformers



RoHS Compliant

PART NUMBERING SYSTEM

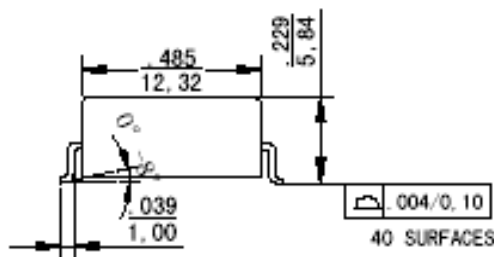
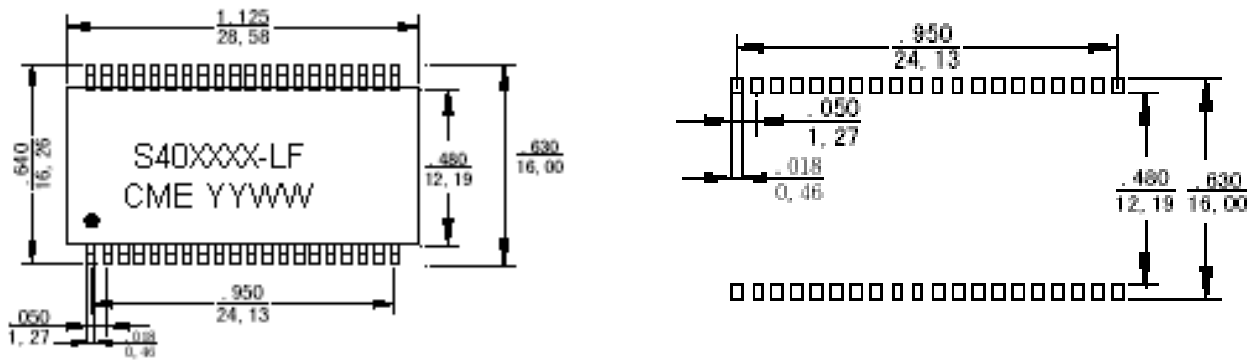


FEATURES

- 1:1 transmit and receive turn ratios
- Compatible with various IC manufacturers
- Compliant with IEEE standards
- 1500 Vrms Isolation voltage
- RoHS compliant peak solder rating 235°C

SHAPES AND DIMENSIONS

Mechanicals

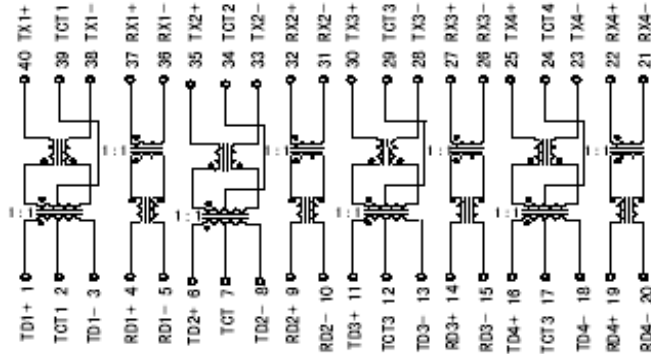




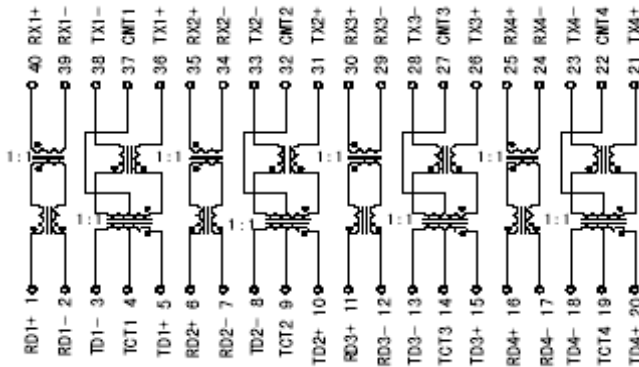
RoHS Compliant

10/100Base-TX Quad Port Transformers

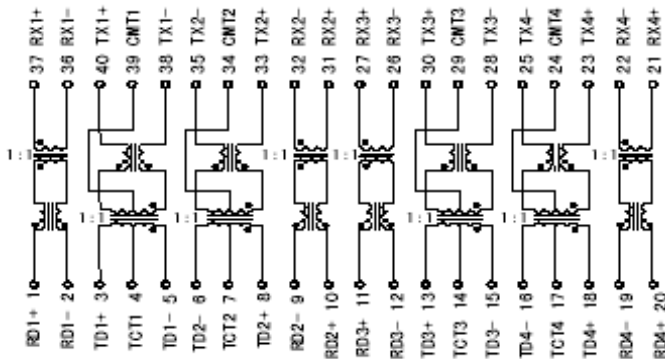
S40-1036-LF , S40-1236-LF



S40-1044-LF



S40-1053-LF

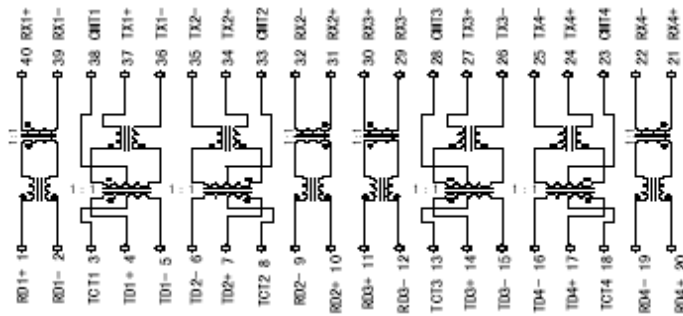




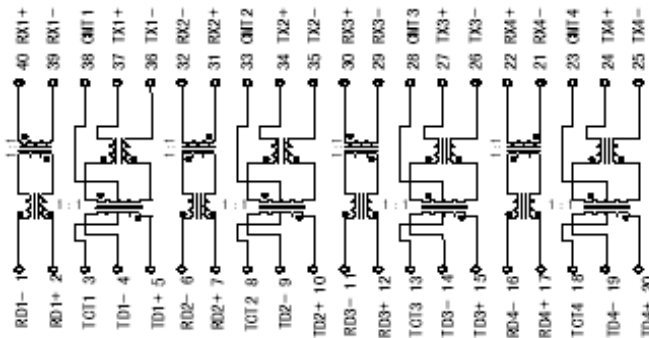
RoHS Compliant

10/100Base-TX Quad Port Transformers

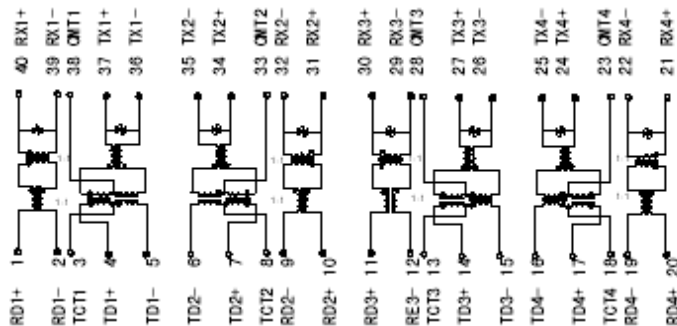
S40-1062-LF , S40-1203-LF



S40-1071-LF



S40-1166-LF



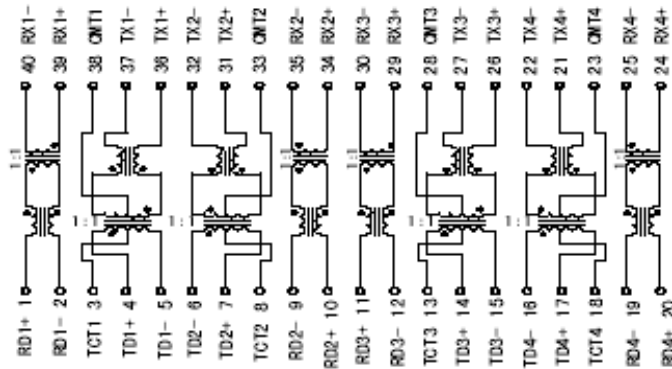
10/100Base-TX Quad Port Transformers



RoHS Compliant

Schematics

S40-1060-LF



ELECTRICAL CHARACTERISTICS @ 25°C --- Operating Temperature 0°C to 70°C

PART NUMBER	Insertion Loss(dB Typ)	Return loss (dB Min) MHz				Return loss (dB Min) MHz				Common to Rejection Ratio 0.1-60MHz (dB Typ)		Differential to Common Mode Rejection (dB Typ)	
		2-30	40	50	60-80	1	30	60	100	Transmit	Receive	5MHz	10MHz
S40-1036-LF	-0.5	-21	-17	-14.5	-12	-65	-55	-45	-35	-30	-30	-40	-30
S40-1044-LF	-0.5	-21	-17	-14.5	-12	-65	-55	-45	-35	-30	-30	-40	-30
S40-1053-LF	-0.5	-21	-17	-14.5	-12	-65	-50	-40	-30	-30	-30	-40	-30
S40-1060-LF	-0.5	-21	-17	-14.5	-12	-65	-50	-40	-30	-30	-30	-40	-30
S40-1062-LF	-0.5	-21	-17	-14.5	-12	-65	-55	-45	-35	-30	-30	-40	-30
S40-1071-LF	-0.5	-21	-17	-14.5	-12	-65	-50	-40	-30	-30	-30	-40	-30
S40-1066-LF	-0.5	-21	-14.4	-13.1	-12	-65	-45	-40	-35	-30	-30	-40	-30
S40-1203-LF	-0.5	-21	-17	-14.5	-12	-65	-55	-45	-35	-30	-30	-40	-30
S40-1236-LF	-0.5	-18	-17	-14.5	-12	-65	-45	-40	-35	-30	-30	-40	-35