

1000 Base - T Magnetics Modules



RoHS Compliant

PART NUMBERING SYSTEM

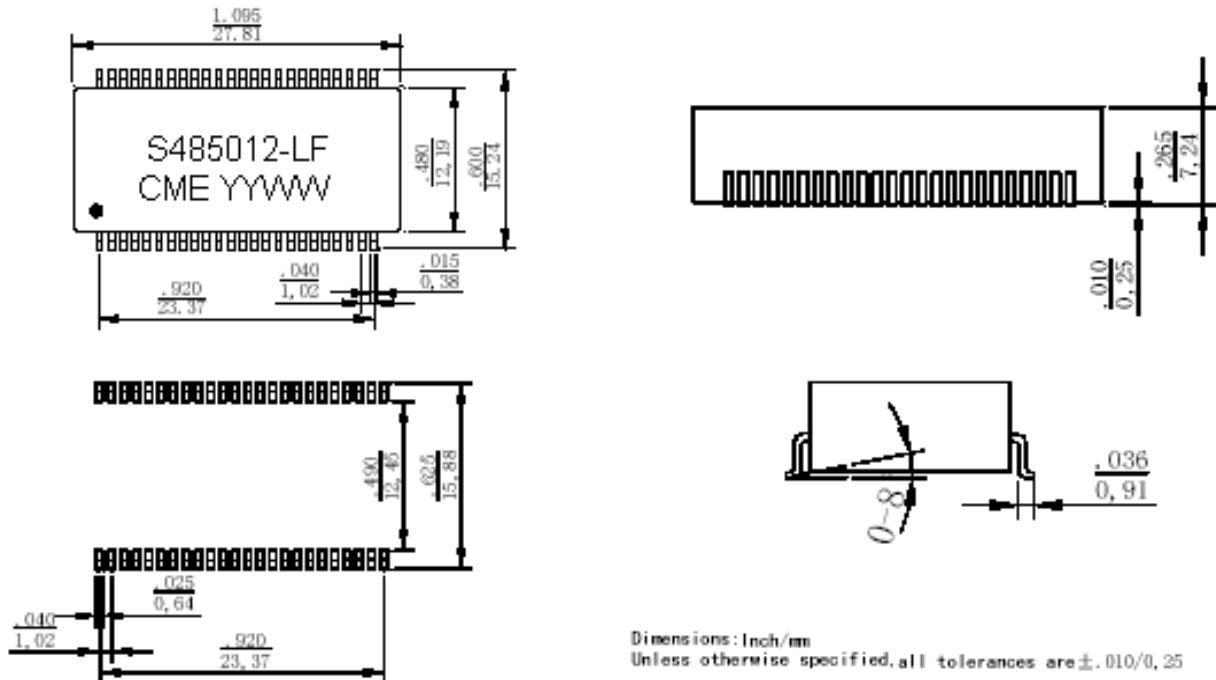


FEATURES

- Designed to support 1:1 turns ratio transceivers
- Meets IEEE 802.3 specification
- Designed for long haul Gigabit Ethernet (10/100/1000Base-T) applications
- S24-5008-LF designed to fit behind 1x1 RJ45 connector
- Cable interface for isolation and low common mode emissions
- RoHS compliant peak solder rating 235°C

SHAPES AND DIMENSIONS

Mechanicals

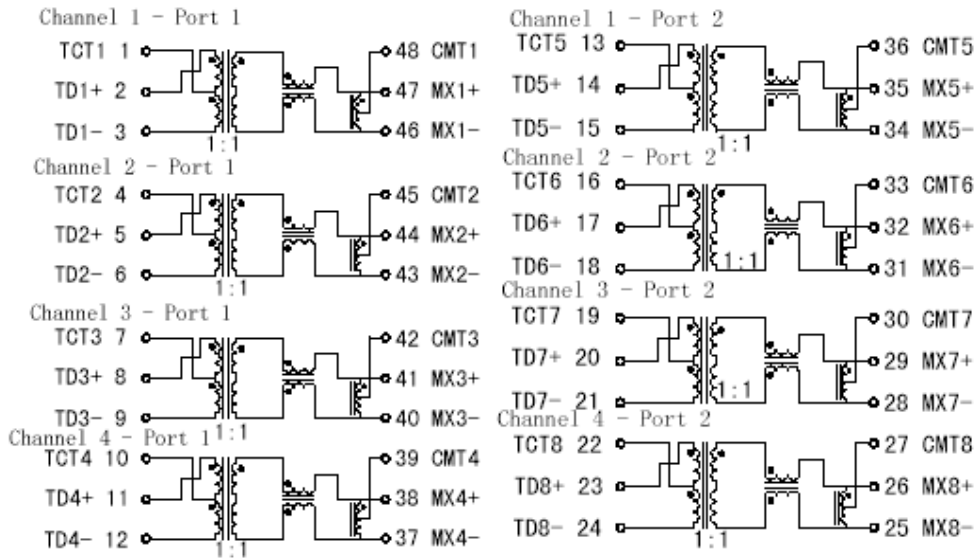


1000 Base - T Magnetics Modules

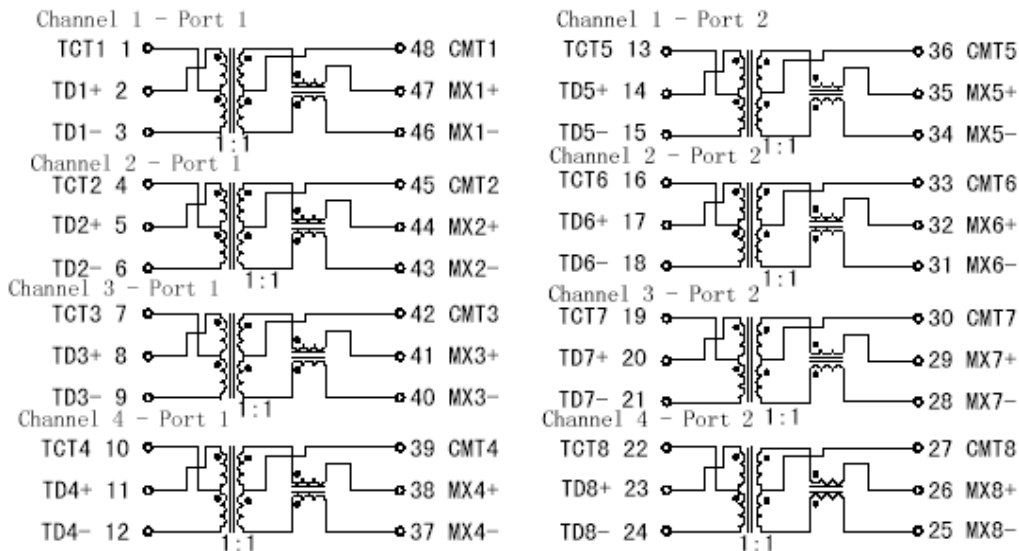


RoHS Compliant

Schematics : S48-5012-LF



Schematics : S48-5014-LF



1000 Base - T Magnetics Modules



RoHS Compliant

FEATURES

- Designed to support 1:1 turns ratio transceivers
- Meets IEEE 802.3 specification
- Designed for long haul Gigabit Ethernet (10/100/1000Base-T) applications
- S24-5008-LF designed to fit behind 1x1 RJ45 connector
- Cable interface for isolation and low common mode emissions
- **RoHS compliant peak solder rating 235 °C**

ELECTRICAL CHARACTERISTICS @ 25°C --- Operating Temperature 0°C to 70°C

PART NUMBER	Insertion Loss (dB Max)	Return loss (dB Min @100Ω) MHz					Differential to Common Mode Rejection (dB Min) MHz			Crosstalk (dB Min) MHz			Hipot (Vrms Min)
		1-30	40	50	60-80	100	30	60	100	30	60	100	
S48-5012-LF	1.4	-16	-14.4	-13.1	-12	-10	-45	-40	-35	-43.5	-37.5	-33	1500
S48-5014-LF	1.4	-16	-14.4	-13.1	-12	-10	-45	-40	-35	-43.5	-37.5	-33	1500