

UU9.8LFH SERIES ~ Common Mode Choke



RoHS Compliant

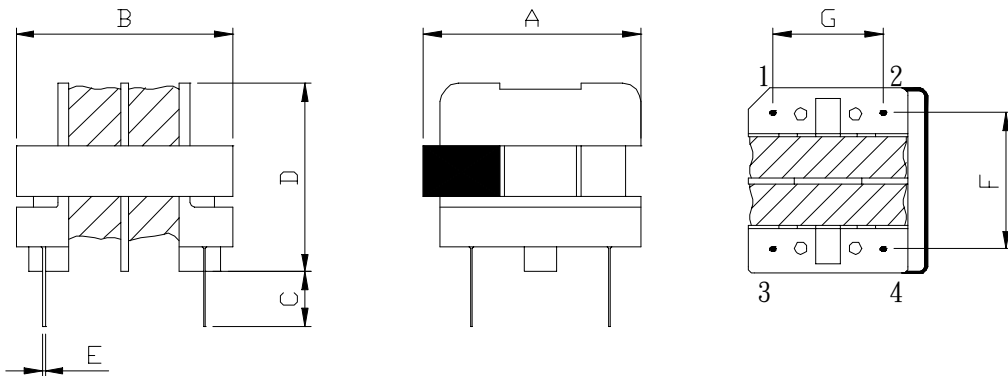
AC Line Filters

PART NUMBERING SYSTEM

<u>UU</u>	<u>9.8LFH</u>	—	<u>1 5 2</u>	—	<u>LF</u>
TYPE	DIMENSIONS		IMPEDANCE		LEAD FREE

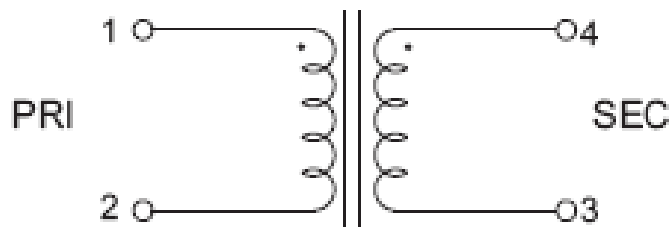
SHAPES AND DIMENSIONS

UNIT : mm



A=15.0±0.5 B=16.0±0.5 C=4±1.0 D=12.5 max. E=0.6±0.1 F=7.0±0.5 G=8.0±0.5

Schematic :



UU9.8LFH SERIES ~ Common Mode Choke



AC Line Filters

DESCRIPTION

- Through-Hole off-line common mode inductors .
- Inductance range from 0.70mH to 43.2 mH .
- Provide significant attenuation of common noise across a broad range of frequencies . .
- UU9.8 families are low cost, high efficiency choke coil designed to virtually eliminate line conducted common mode noise .

APPLICATIONS

- Off-line power supplies.
- Protects AC input from effects of switching regulators .
- DC - DC Converters .
- Computer , TV , VCR , audio and office equipment . .

ELECTRICAL CHARACTERISTICS :

PART NUMBER	Common Mode Inductance (mH)	RATED CURRENT (Aac)	RATED VOLTAGE (V)	INSULATION RESISTANCE (M ohm)
UU9.8LFH-701-LF	0.70 min.	1.0	300	100min.
UU9.8LFH-901-LF	0.90 min.	0.9	300	100min.
UU9.8LFH-122-LF	1.20min.	0.8	300	100min.
UU9.8LFH-142-LF	1.40min.	0.7	300	100min.
UU9.8LFH-182-LF	1.80 min.	0.6	300	100min.
UU9.8LFH-332-LF	3.30 min.	0.5	300	100min.
UU9.8LFH-432-LF	4.30 min.	0.4	300	100min.
UU9.8LFH-722-LF	7.20 min.	0.3	300	100min.
UU9.8LFH-143-LF	14.4 min.	0.2	300	100min.
UU9.8LFH-433-LF	43.2 min.	0.1	300	100min.

- 1) Test Frequency : 40KHZ / 1V
- 2) Operating Temperature Range : -40°C to + 85 °C range is application specific.
- 3) Winding Temperature Rise (at Rated Current) : 60K max.
- 4) Packaging : Supplied in bulk packaging.