

STC1106 SERIES ~ SMD Toroidal



RoHS Compliant

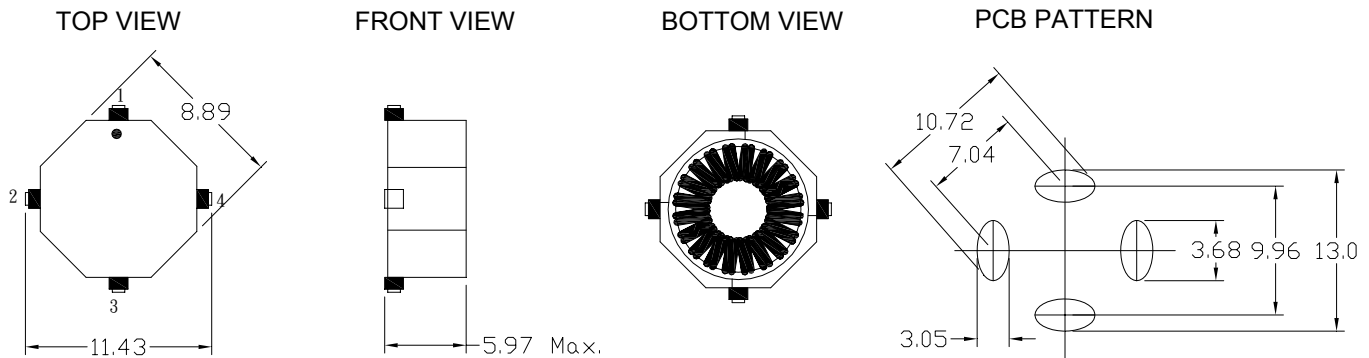
Common Mode Choke & Transformers

PART NUMBERING SYSTEM

STC	1 1 0 6	—	1 0 0 M	—	LF
TYPE	DIMENSIONS		IMPEDANCE		LEAD FREE

SHAPES AND DIMENSIONS

UNIT : mm



SPECIFICATION TABLE

TYPE	Parallel Ratings					Series Ratings			
	PART NUMBER	INDUCTANCE (μH)	OCL±20% (μH)	Full Load Inductance uh min.	Current (A)	DCR (Ω) (Max.)	OCL±20% (μH)	Full Load Inductance uh min.	Current (A)
STC1106-R47M-LF	0.47	0.54	0.42	5.90	0.006	2.18	1.69	2.95	0.024
STC1106-R68M-LF	0.68	0.85	0.64	5.40	0.007	3.40	2.55	2.70	0.029
STC1106-1R2M-LF	1.2	1.22	0.89	5.00	0.008	4.90	3.57	2.50	0.033
STC1106-2R2M-LF	2.2	2.18	1.56	3.90	0.014	8.70	6.26	1.95	0.055
STC1106-4R7M-LF	4.7	4.90	3.57	2.50	0.032	19.58	14.26	1.25	0.128
STC1106-8R2M-LF	8.2	7.65	5.31	2.30	0.040	30.60	21.23	1.15	0.158
STC1106-100M-LF	10	9.83	6.73	2.10	0.045	39.30	26.92	1.05	0.179
STC1106-150M-LF	15	14.99	10.51	1.60	0.085	59.98	42.02	0.80	0.339
STC1106-200M-LF	20	19.58	13.37	1.50	0.097	78.34	53.48	0.75	0.387
STC1106-250M-LF	25	24.79	16.60	1.40	0.109	99.14	66.38	0.70	0.436
STC1106-330M-LF	33	32.67	21.29	1.30	0.126	130.70	85.17	0.65	0.503
STC1106-500M-LF	50	49.10	35.31	0.82	0.305	196.38	141.24	0.41	1.221
STC1106-680M-LF	68	68.85	47.93	0.76	0.362	275.40	191.71	0.38	1.445
STC1106-101M-LF	100	99.14	69.56	0.62	0.541	396.58	278.22	0.31	2.162
STC1106-151M-LF	150	148.1	100.07	0.56	0.665	592.42	400.27	0.28	2.660
STC1106-201M-LF	200	201.5	138.49	0.46	0.951	806.34	553.97	0.23	3.804
STC1106-301M-LF	300	300.4	197.52	0.42	1.176	1201.7	790.08	0.21	4.703

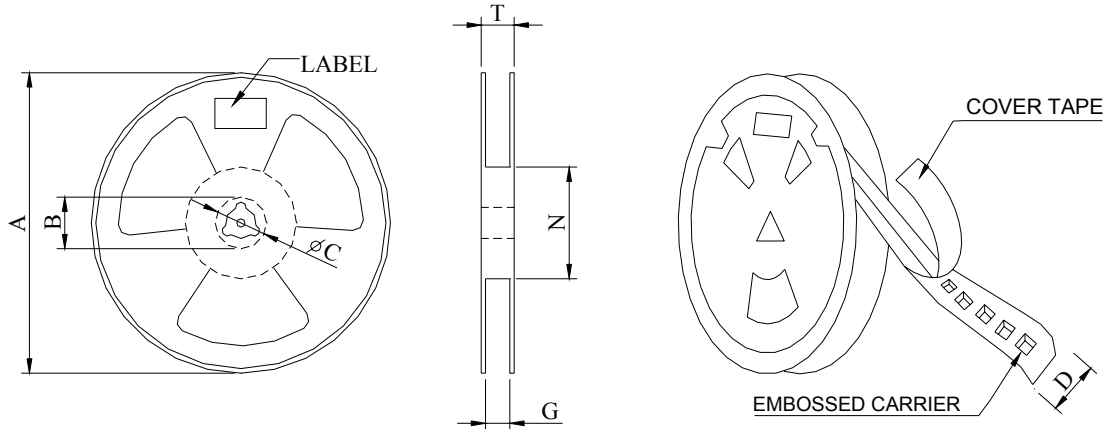
● Operating temperature range -40°C to +85°C. Electrical specifications at 25°C .

STC1106 SERIES ~ SMD Toroidal

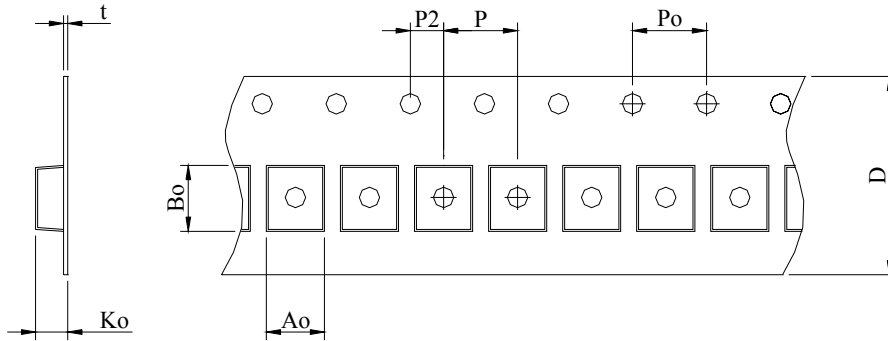
Common Mode Choke & Transformers



RoHS Compliant



*CARRIER TAPE WIDTH : D



DIMENSIONS (m/m)														
Q'TY (PCS)	A	B	C	D	G	N	T	Ao	Bo	Ko	t	P	Po	P2
800	330	—	13.5 ±0.5	24.0 ±0.3	—	75.0 ±2.0	—	9.3	9.3	6.4 ±0.1	0.4 ±0.1	12.0 ±0.1	4.0 ±0.1	—