

STC SERIES ~

Surface Mount Toroidal Power Inductors



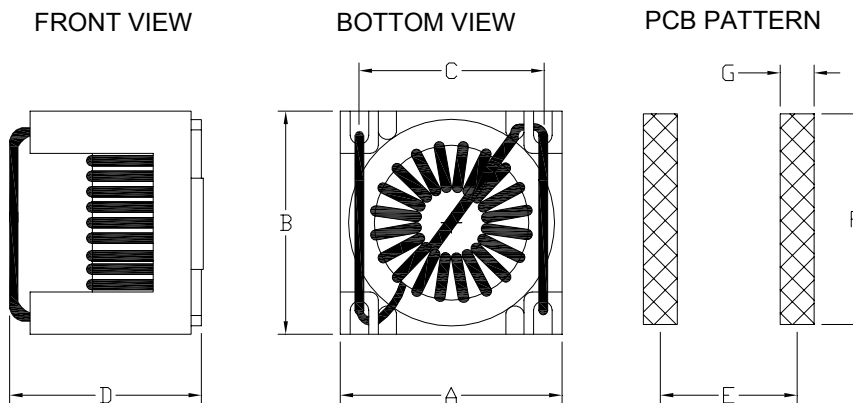
RoHS Compliant

PART NUMBERING SYSTEM

STC	1 4 0 9	—	2 2 0 M	—	L F
TYPE	DIMENSIONS		IMPEDANCE		LEAD FREE

SHAPES AND DIMENSIONS

UNIT : mm



BODY SIZE	A Max.	B Max.	C typ.	D Max.	E typ.	F Typ.	G Typ.
1	8.64	8.64	6.60	7.00	7.62	6.86	1.52
2	11.05	11.18	8.89	9.50	10.16	9.14	1.52
3	14.22	14.35	11.43	9.50	13.21	11.68	1.52
4	14.99	15.62	12.70	10.5	13.97	12.95	1.52
5	17.02	17.78	14.73	10.5	15.75	14.99	1.52
6	16.89	16.89	14.22	10.5	12.45	14.48	2.03
7	18.80	18.80	16.00	10.5	14.22	16.26	2.03
8	23.88	23.88	20.83	10.5	17.78	21.03	2.03

STC SERIES ~

Surface Mount Toroidal Power Inductors



RoHS Compliant

SPECIFICATION TABLE

PART NUMBER	INDUCTANCE (μ H)	Full Load Inductance	DCR (m Ω) (Max.)	Current (A)	SRF typ. (MHz)	Body Size
STC0807-1R1M-LF	1.1 \pm 20%	1.01	16.0	3.40	360	1
STC0807-7R0M-LF	7.0 \pm 20%	6.20	95.0	1.40	70	1
STC0807-230M-LF	23 \pm 20%	17.6	320	1.0	21	1
STC1109-5R2M-LF	5.2 \pm 20%	3.80	19.9	4.80	60	2
STC1109-120M-LF	12 \pm 20%	9.40	47.2	2.80	33	2
STC1109-350M-LF	35 \pm 20%	29.7	166	1.4	12	2
STC1109-171M-LF	170 \pm 20%	114	640	0.94	3.3	2
STC1409-3R8M-LF	3.8 \pm 20%	2.50	9.30	8.00	133	3
STC1409-7R5M-LF	7.5 \pm 20%	5.10	18.7	5.40	73	3
STC1409-220M-LF	22 \pm 20%	16.2	63.0	2.7	34	3
STC1409-730M-LF	73 \pm 20%	58.1	290	1.3	5.0	3
STC1409-291M-LF	290 \pm 20%	192	657	0.90	2.3	3
STC1409-671M-LF	670 \pm 20%	383	1200	0.72	1.2	3
STC1410-7R9M-LF	7.9 \pm 20%	4.90	16.2	7.80	49	4
STC1410-140M-LF	14 \pm 20%	9.00	23.6	5.50	20	4
STC1410-410M-LF	41 \pm 20%	29.1	85.0	2.7	9.5	4
STC1410-112M-LF	1100 \pm 20%	670	1908	0.70	0.73	4
STC1710-160M-LF	16 \pm 20%	9.30	19.7	7.2	19	5
STC1710-260M-LF	26 \pm 20%	16.1	32.0	5.1	9.2	5
STC1710-730M-LF	73 \pm 20%	50.0	133	2.6	14	5
STC1710-202M-LF	2000 \pm 20%	1070	1932	0.71	0.40	5
STC1610-2R8M-LF	2.8 \pm 20%	1.68	4.60	13.9	136	6
STC1610-4R2M-LF	4.2 \pm 20%	2.50	6.60	11.4	72	6
STC1810-6R5M-LF	6.5 \pm 20%	3.50	7.20	12.4	46	7
STC1810-8R4M-LF	8.4 \pm 20%	4.70	8.50	10.4	23	7
STC2410-110M-LF	11 \pm 20%	6.50	8.20	14.0	20	8
STC2410-180M-LF	18 \pm 20%	10.0	12.5	10.0	9.0	8