

SBS0605 SERIES ~ Shielded SMD Power Inductors



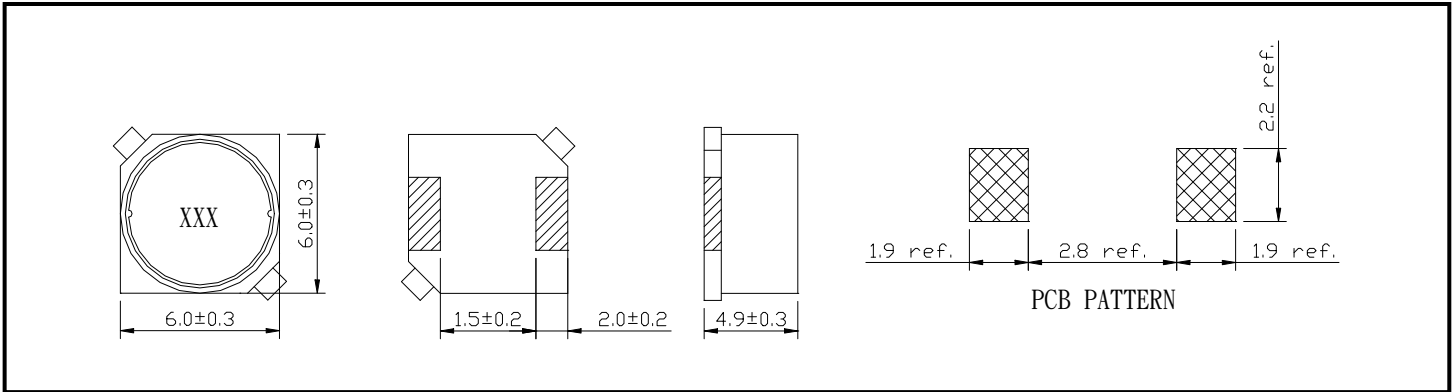
RoHS Compliant

PART NUMBERING SYSTEM

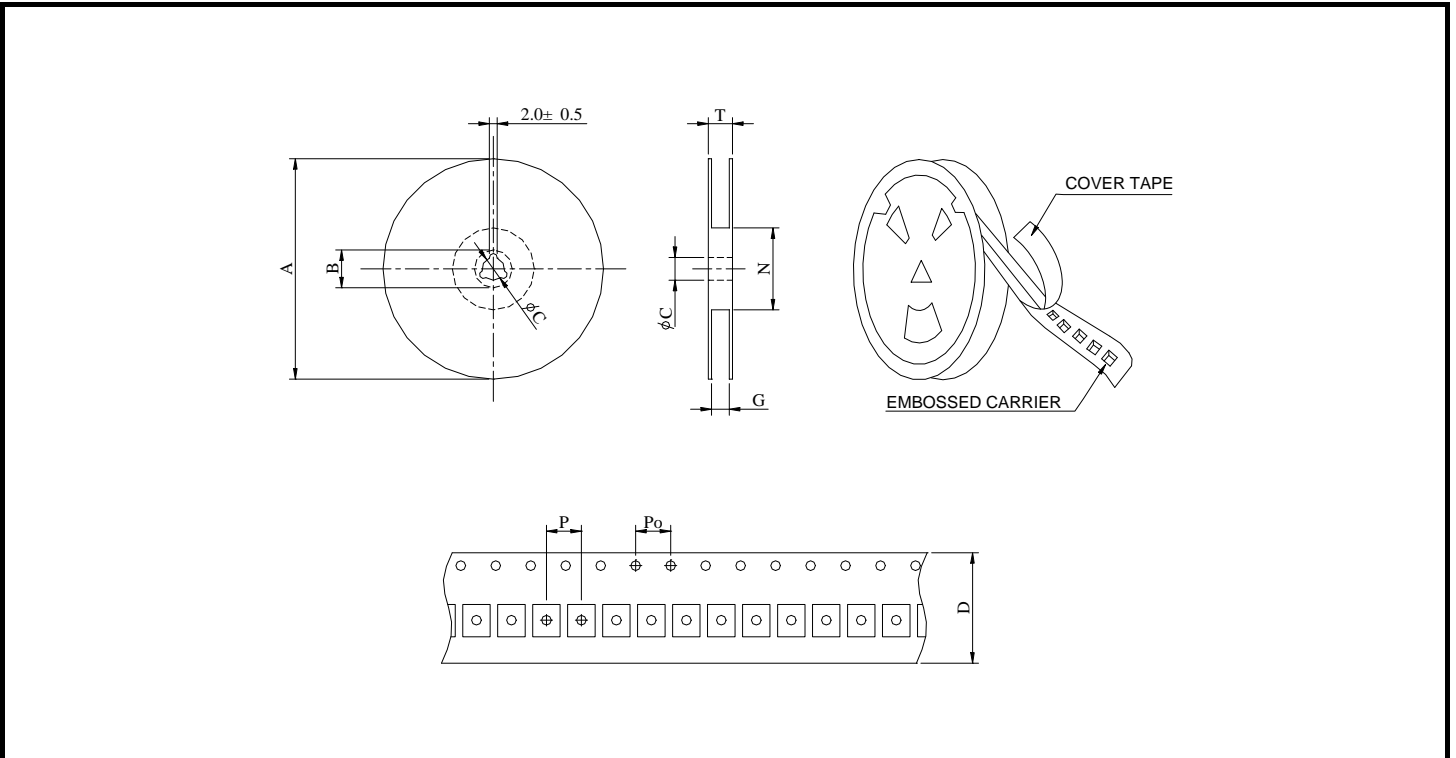
SBS	0605	—	100M	—	LF
TYPE	DIMENSIONS		INDUCTANCE		LEAD FREE

SHAPES AND DIMENSIONS

UNIT : mm



PACKAGING SPECIFICATION



SERIES	STAYLE	Q' TY (PCS)	DIMENSIONS (m/m)								
			A	B±0.8	C±0.5	D	G ⁺⁰	N ⁰	P	Po	T
SBS0605	13-16	1000	330	21	13	16	18	50	12	4	22.4

SBS0605 SERIES ~ Shielded SMD Power Inductors



RoHS Compliant

SPECIFICATION TABLE

PART NUMBER	INDUCTANCE (μ H)	DCR (Ω) (Max.)	IDC (A) (Max.)	TEST FREQ. (f)
SBS0605-1R0M-LF	1.0 \pm 20%	0.023	2.70	100KHz
SBS0605-1R5M-LF	1.5 \pm 20%	0.026	2.30	100KHz
SBS0605-2R2M-LF	2.2 \pm 20%	0.028	1.90	100KHz
SBS0605-3R3M-LF	3.3 \pm 20%	0.035	1.80	100KHz
SBS0605-4R7M-LF	4.7 \pm 20%	0.040	1.40	100KHz
SBS0605-6R8M-LF	6.8 \pm 20%	0.045	1.20	100KHz
SBS0605-100M-LF	10 \pm 20%	0.060	1.00	100KHz
SBS0605-120M-LF	12 \pm 20%	0.065	0.90	100KHz
SBS0605-150M-LF	15 \pm 20%	0.070	0.80	100KHz
SBS0605-180M-LF	18 \pm 20%	0.095	0.70	100KHz
SBS0605-220M-LF	22 \pm 20%	0.110	0.65	100KHz
SBS0605-270M-LF	27 \pm 20%	0.120	0.60	100KHz
SBS0605-330M-LF	33 \pm 20%	0.165	0.55	100KHz
SBS0605-390M-LF	39 \pm 20%	0.180	0.48	100KHz
SBS0605-470M-LF	47 \pm 20%	0.200	0.45	100KHz
SBS0605-560M-LF	56 \pm 20%	0.255	0.40	100KHz
SBS0605-680M-LF	68 \pm 20%	0.285	0.37	100KHz
SBS0605-820M-LF	82 \pm 20%	0.390	0.35	100KHz
SBS0605-101M-LF	100 \pm 20%	0.420	0.30	100KHz
SBS0605-121M-LF	120 \pm 20%	0.470	0.28	100KHz
SBS0605-151M-LF	150 \pm 20%	0.630	0.25	100KHz
SBS0605-181M-LF	180 \pm 20%	0.720	0.22	100KHz
SBS0605-221M-LF	220 \pm 20%	0.820	0.20	100KHz
SBS0605-271M-LF	270 \pm 20%	1.100	0.18	100KHz
SBS0605-331M-LF	330 \pm 20%	1.200	0.17	100KHz
SBS0605-391M-LF	390 \pm 20%	1.700	0.16	100KHz
SBS0605-471M-LF	470 \pm 20%	1.900	0.14	100KHz
SBS0605-561M-LF	560 \pm 20%	2.150	0.13	100KHz
SBS0605-681M-LF	680 \pm 20%	3.300	0.12	100KHz
SBS0605-821M-LF	820 \pm 20%	3.650	0.11	100KHz
SBS0605-102M-LF	1000 \pm 20%	4.150	0.10	100KHz

- DC current at which the inductance drops 10% (typ) from its value without current.
- Operating temperature range -40°C to +125°C
- Electrical specifications at 25°C.