

## SRS125R SERIES – Shielded SMD Power Inductors



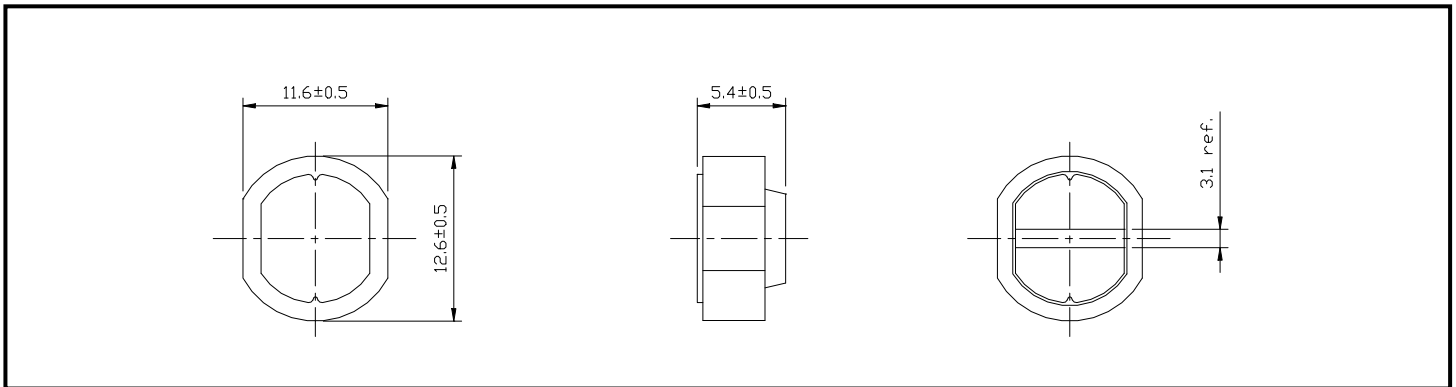
RoHS Compliant

### PART NUMBERING SYSTEM

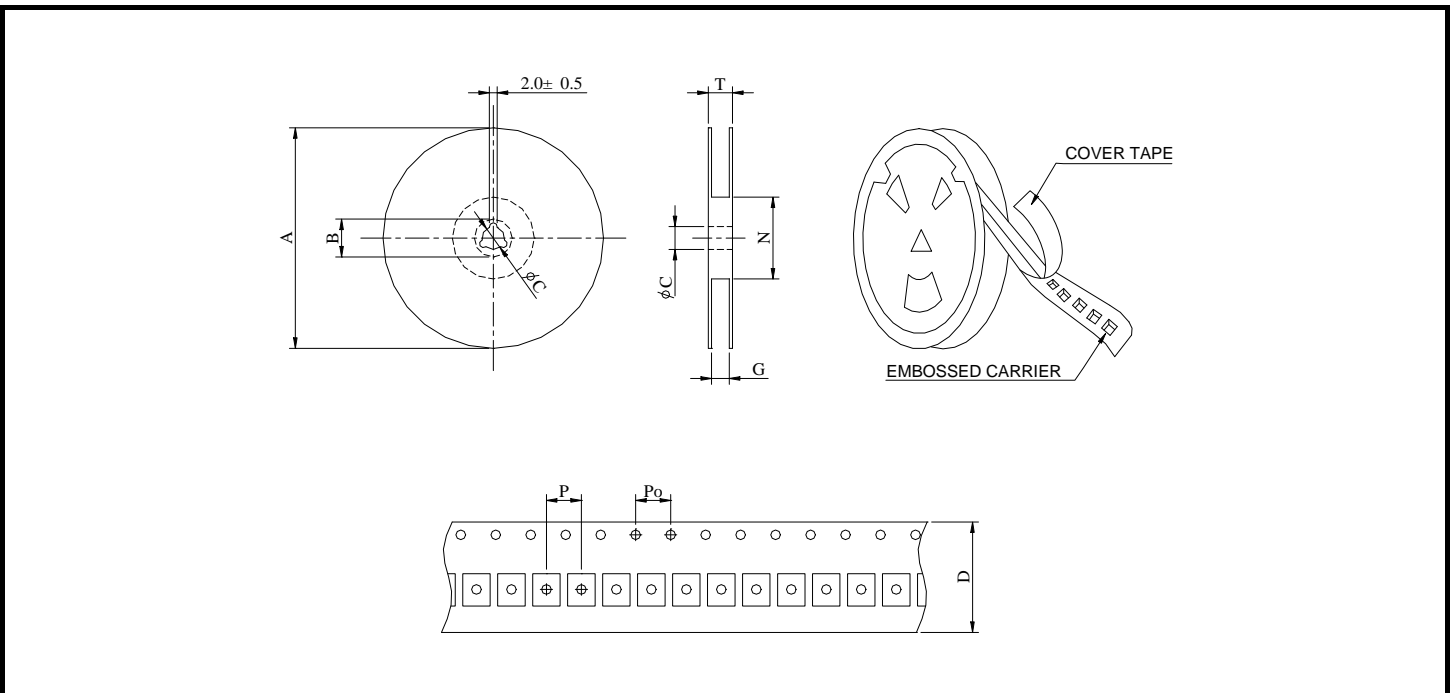
|            |             |          |             |          |           |
|------------|-------------|----------|-------------|----------|-----------|
| <b>SRS</b> | <b>125R</b> | <b>—</b> | <b>100M</b> | <b>—</b> | <b>LF</b> |
| TYPE       | DIMENSIONS  |          | INDUCTANCE  |          | LEAD FREE |

### SHAPES AND DIMENSIONS

UNIT : mm



### PACKAGING SPECIFICATION



| SERIES  | STAYLE | Q' TY<br>(PCS) | DIMENSIONS (m/m) |       |       |    |                 |                |    |    |      |
|---------|--------|----------------|------------------|-------|-------|----|-----------------|----------------|----|----|------|
|         |        |                | A                | B±0.8 | C±0.5 | D  | G <sup>+0</sup> | N <sup>0</sup> | P  | Po | T    |
| SRS125R | 13-24  | 400            | 330              | 21    | 13    | 24 | 26              | 50             | 12 | 4  | 30.4 |

## SRS125R SERIES – Shielded SMD Power Inductors



RoHS Compliant

### SPECIFICATION TABLE

| PART NUMBER     | INDUCTANCE<br>( $\mu$ H) | DCR ( $\Omega$ )<br>(Max.) | IDC ( A )<br>(Max.) | TEST FREQ.<br>( f ) |
|-----------------|--------------------------|----------------------------|---------------------|---------------------|
| SRS125R-100M-LF | 10 $\pm$ 20%             | 0.05                       | 2.65                | 2.52MHz             |
| SRS125R-120M-LF | 12 $\pm$ 20%             | 0.05                       | 2.50                | 2.52MHz             |
| SRS125R-150M-LF | 15 $\pm$ 20%             | 0.06                       | 2.45                | 2.52MHz             |
| SRS125R-180M-LF | 18 $\pm$ 20%             | 0.06                       | 2.40                | 2.52MHz             |
| SRS125R-220M-LF | 22 $\pm$ 20%             | 0.07                       | 2.20                | 2.52MHz             |
| SRS125R-270M-LF | 27 $\pm$ 20%             | 0.08                       | 2.00                | 2.52MHz             |
| SRS125R-330M-LF | 33 $\pm$ 20%             | 0.10                       | 1.80                | 2.52MHz             |
| SRS125R-390M-LF | 39 $\pm$ 20%             | 0.11                       | 1.65                | 2.52MHz             |
| SRS125R-470M-LF | 47 $\pm$ 20%             | 0.12                       | 1.50                | 2.52MHz             |
| SRS125R-560M-LF | 56 $\pm$ 20%             | 0.15                       | 1.38                | 2.52MHz             |
| SRS125R-680M-LF | 68 $\pm$ 20%             | 0.17                       | 1.26                | 2.52MHz             |
| SRS125R-820M-LF | 82 $\pm$ 20%             | 0.20                       | 1.14                | 2.52MHz             |
| SRS125R-101M-LF | 100 $\pm$ 20%            | 0.25                       | 1.05                | 1KHz                |
| SRS125R-121M-LF | 120 $\pm$ 20%            | 0.28                       | 0.95                | 1KHz                |
| SRS125R-151M-LF | 150 $\pm$ 20%            | 0.40                       | 0.85                | 1KHz                |
| SRS125R-181M-LF | 180 $\pm$ 20%            | 0.48                       | 0.77                | 1KHz                |
| SRS125R-221M-LF | 220 $\pm$ 20%            | 0.52                       | 0.70                | 1KHz                |
| SRS125R-271M-LF | 270 $\pm$ 20%            | 0.70                       | 0.63                | 1KHz                |
| SRS125R-331M-LF | 330 $\pm$ 20%            | 0.80                       | 0.57                | 1KHz                |
| SRS125R-391M-LF | 390 $\pm$ 20%            | 1.08                       | 0.52                | 1KHz                |
| SRS125R-471M-LF | 470 $\pm$ 20%            | 1.20                       | 0.48                | 1KHz                |
| SRS125R-561M-LF | 560 $\pm$ 20%            | 1.34                       | 0.44                | 1KHz                |
| SRS125R-681M-LF | 680 $\pm$ 20%            | 1.78                       | 0.40                | 1KHz                |
| SRS125R-821M-LF | 820 $\pm$ 20%            | 2.00                       | 0.36                | 1KHz                |

- DC current at which the inductance drops 25% (typ) from its value without current.
- Operating temperature range -40°C to +125°C .
- Electrical specifications at 25°C