

SRS74B SERIES – Shielded SMD Power Inductors



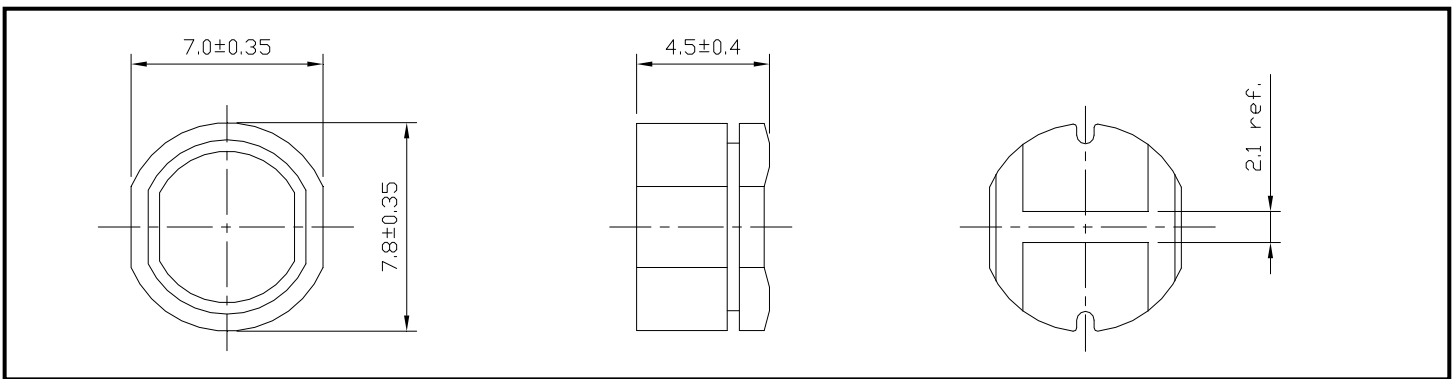
RoHS Compliant

PART NUMBERING SYSTEM

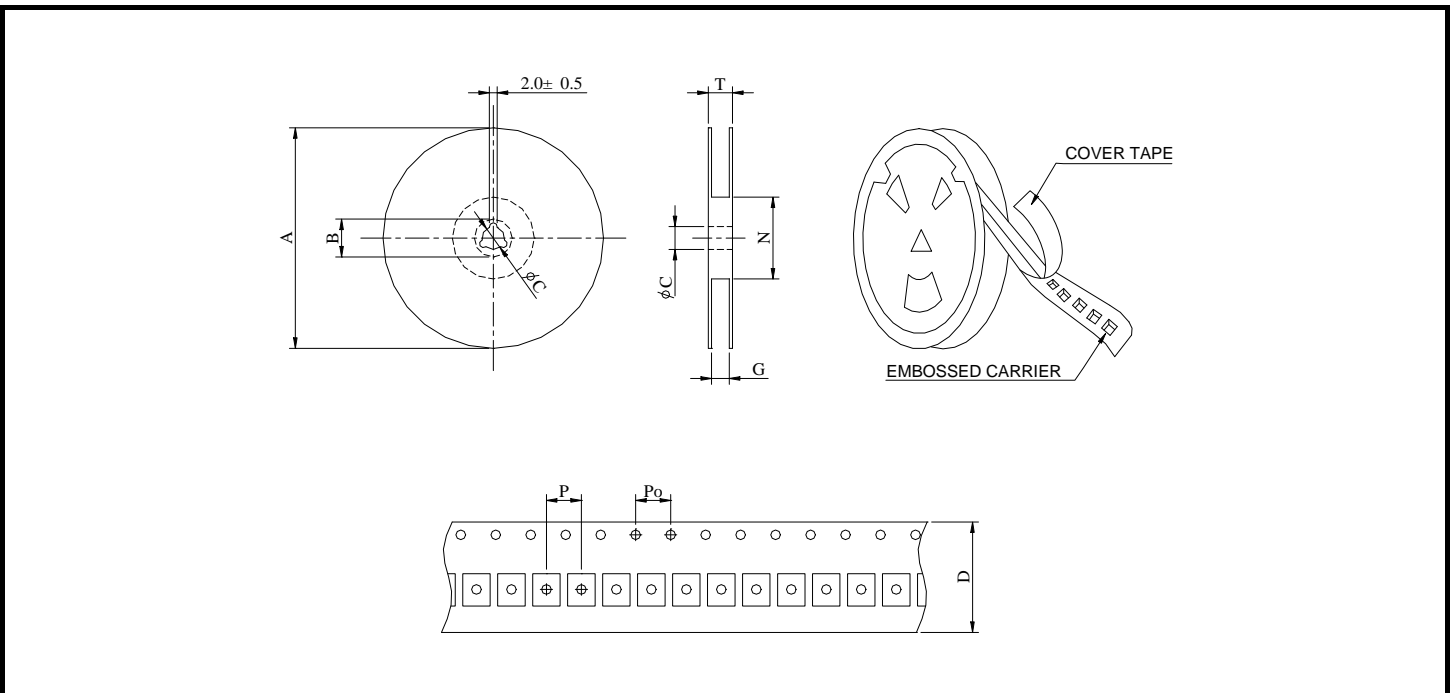
SRS	74B	—	100M	—	LF
TYPE	DIMENSIONS		INDUCTANCE		LEAD FREE

SHAPES AND DIMENSIONS

UNIT : mm



PACKAGING SPECIFICATION



SERIES	STAYLE	Q' TY (PCS)	DIMENSIONS (m/m)								
			A	B±0.8	C±0.5	D	G ⁺⁰	N ⁻⁰	P	Po	T
SRS74B	13-16	1000	330	21	13	16	18	50	12	4	22.4

SRS74B SERIES – Shielded SMD Power Inductors



RoHS Compliant

SPECIFICATION TABLE

PART NUMBER	INDUCTANCE (μ H)	DCR (Ω) (Max.)	IDC (A) (Max.)	TEST FREQ. (f)
SRS74B-100M-LF	10 \pm 20%	0.07	1.65	2.52MHz
SRS74B-120M-LF	12 \pm 20%	0.07	1.57	2.52MHz
SRS74B-150M-LF	15 \pm 20%	0.08	1.39	2.52MHz
SRS74B-180M-LF	18 \pm 20%	0.10	1.29	2.52MHz
SRS74B-220M-LF	22 \pm 20%	0.13	1.12	2.52MHz
SRS74B-270M-LF	27 \pm 20%	0.16	1.06	2.52MHz
SRS74B-330M-LF	33 \pm 20%	0.18	0.97	2.52MHz
SRS74B-390M-LF	39 \pm 20%	0.18	0.91	2.52MHz
SRS74B-470M-LF	47 \pm 20%	0.27	0.80	2.52MHz
SRS74B-560M-LF	56 \pm 20%	0.29	0.76	2.52MHz
SRS74B-680M-LF	68 \pm 20%	0.33	0.68	2.52MHz
SRS74B-820M-LF	82 \pm 20%	0.43	0.62	2.52MHz
SRS74B-101M-LF	100 \pm 20%	0.49	0.55	1KHz
SRS74B-121M-LF	120 \pm 20%	0.68	0.49	1KHz
SRS74B-151M-LF	150 \pm 20%	0.94	0.44	1KHz
SRS74B-181M-LF	180 \pm 20%	1.00	0.40	1KHz
SRS74B-221M-LF	220 \pm 20%	1.18	0.36	1KHz
SRS74B-271M-LF	270 \pm 20%	1.30	0.33	1KHz

- DC current at which the inductance drops 25% (typ) from its value without current.
- Operating temperature range -40°C to +125°C ,
- Electrical specifications at 25°C.