

SSB5015D SERIES

Low Profile Power Inductors



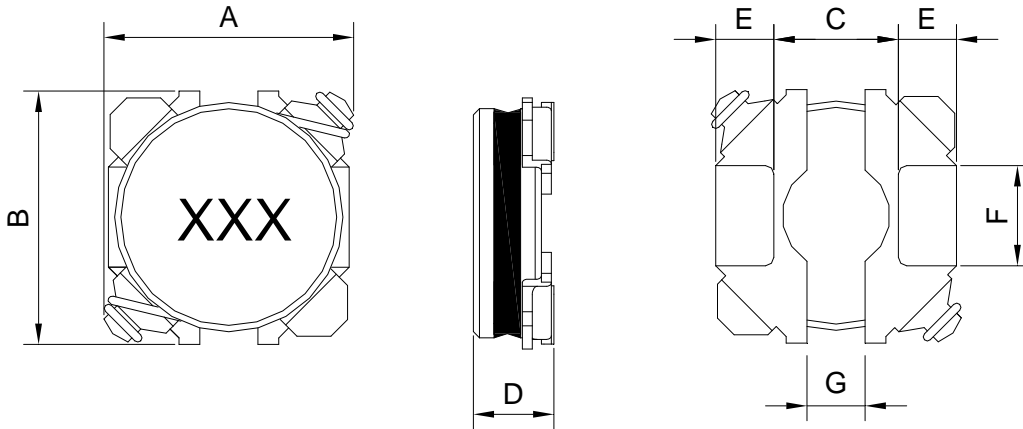
RoHS Compliant

PART NUMBERING SYSTEM

SSB	5015D	—	470M	—	LF
TYPE	DIMENSIONS		INDUCTANCE		LEAD FREE

SHAPES AND DIMENSIONS

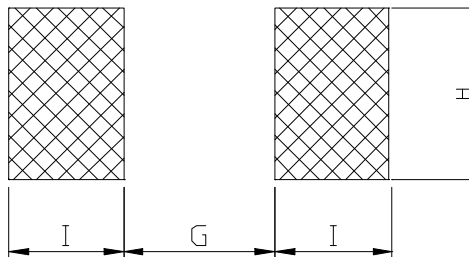
UNIT : mm



A=5.1 Max. B=5.1 Max. D=1.5 Max.

RECOMMENDED PATTERNS

UNIT : mm



G=1.4 H=5.4 I=2.0

SSB5015D SERIES

Low Profile Power Inductors



RoHS Compliant

ELECTRICAL CHARACTERISTICS :

PART NUMBER	INDUCTANCE (μ H)	DCR (Ω) Max.(Typ.)	Isat (A) (Max.)	Irms (A) (Max.)	Stamp
SSB5015D-1R0N-LF	1.0 \pm 30%	62.4m(52m)	3.50	2.05	1R0
SSB5015D-1R5N-LF	1.5 \pm 30%	73.2m(61m)	3.00	1.90	1R5
SSB5015D-2R2N-LF	2.2 \pm 30%	85.2m(71m)	2.50	1.75	2R2
SSB5015D-3R3N-LF	3.3 \pm 30%	0.111(92m)	2.10	1.65	3R3
SSB5015D-4R7M-LF	4.7 \pm 20%	0.120(0.10)	1.90	1.55	4R7
SSB5015D-6R8N-LF	6.8 \pm 20%	0.168(0.14)	1.60	1.35	6R8
SSB5015D-100M-LF	10 \pm 20%	0.252(0.21)	1.30	1.10	100
SSB5015D-150M-LF	15 \pm 20%	0.336(0.28)	1.00	0.97	150
SSB5015D-220M-LF	22 \pm 20%	0.480(0.40)	0.80	0.79	220
SSB5015D-330M-LF	33 \pm 20%	0.732(0.61)	0.65	0.60	330
SSB5015D-470M-LF	47 \pm 20%	1.020(0.85)	0.55	0.51	470

- Inductance tested at 100 kHz, 0.1 Vrms, 0 Adc using an Agilent/HP 4284B LCR meter or equivalent.
- Isat : DC current at which the inductance drops 30% (typ) from its value without current.
- Irms: The actual current when temperature of coil becomes $\Delta 40^{\circ}\text{C}$. (Ta=+25 $^{\circ}\text{C}$)
 Operating temperature range -40 $^{\circ}\text{C}$ to +125 $^{\circ}\text{C}$, Electrical specifications at 25 $^{\circ}\text{C}$.