

SSB5210 SERIES – Low Profile SMD Power Inductors



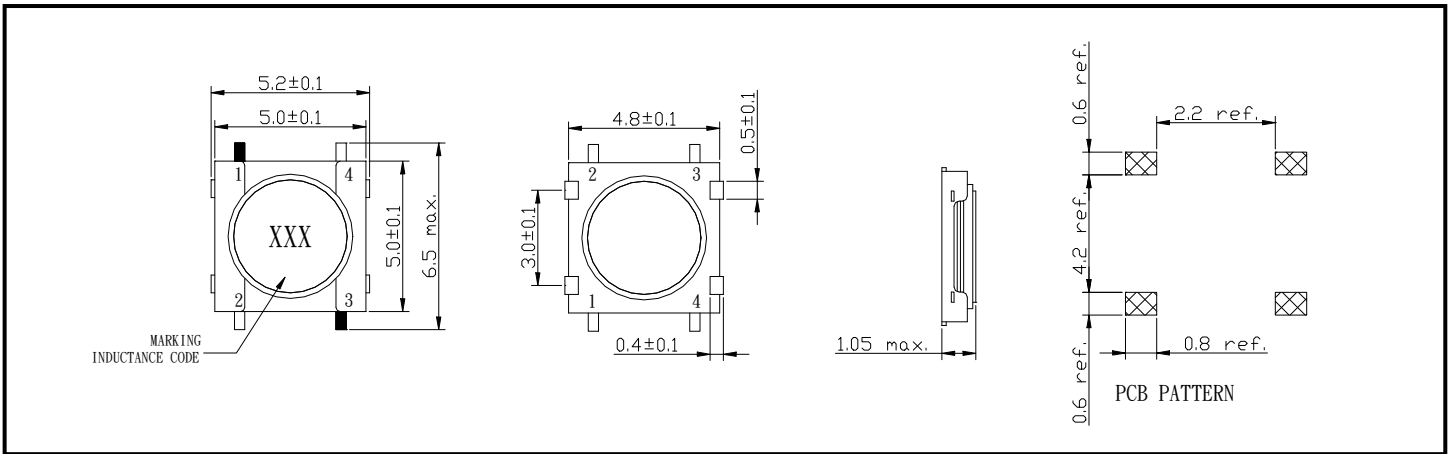
RoHS Compliant

PART NUMBERING SYSTEM

SSB	5210	—	100M	—	LF
TYPE	DIMENSIONS		INDUCTANCE		LEAD FREE

SHAPES AND DIMENSIONS

UNIT : mm



SPECIFICATION TABLE

PART NUMBER	INDUCTANCE (μ H)	DCR (Ω) (max)	IDC (A) (max)	TEST FREQ. (f)
SSB5210-2R2M-LF	2.2 \pm 20%	0.18	1.70	100KHz
SSB5210-3R3M-LF	3.3 \pm 20%	0.22	1.50	100KHz
SSB5210-4R7M-LF	4.7 \pm 20%	0.28	1.32	100KHz
SSB5210-6R8M-LF	6.8 \pm 20%	0.38	1.12	100KHz
SSB5210-100M-LF	10 \pm 20%	0.61	0.90	100KHz
SSB5210-150M-LF	15 \pm 20%	0.82	0.73	100KHz
SSB5210-220M-LF	22 \pm 20%	1.10	0.62	100KHz
SSB5210-330M-LF	33 \pm 20%	1.88	0.52	100KHz
SSB5210-470M-LF	47 \pm 20%	2.34	0.42	100KHz

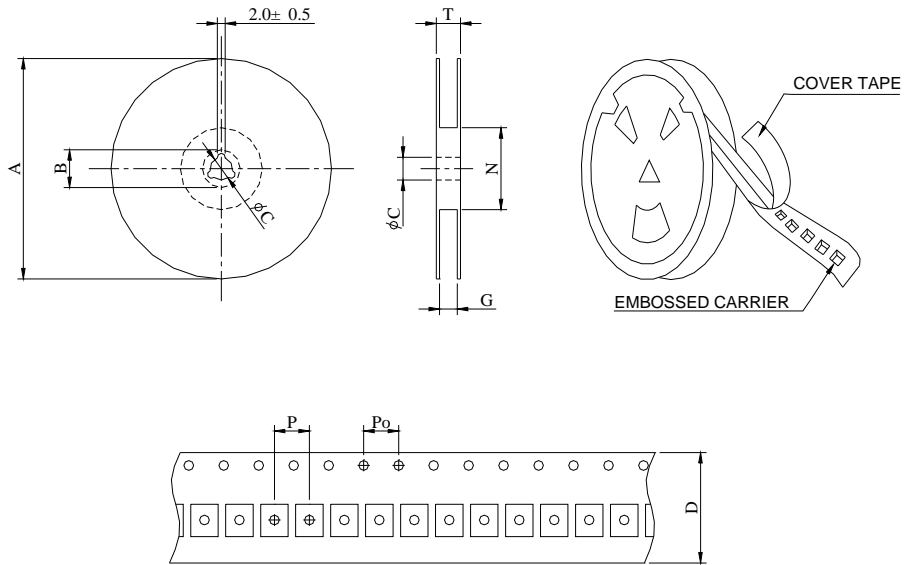
1. Operating temperature range : -40 $^{\circ}$ C to + 125 $^{\circ}$ C .
2. Test equivalent : HP4284A LCR meter or equivalent .
3. Electrical specifications at 25 $^{\circ}$ C .

SSB5210 SERIES – Low Profile SMD Power Inductors



RoHS Compliant

PACKAGING SPECIFICATION



SERIES	STAYLE	Q' TY (PCS)	DIMENSIONS (m/m)								
			A	B±0.8	C±0.5	D	G ⁺⁰	N ⁻⁰	P	Po	T
SSB5210	13-16	3000	330	21	13	16	18	50	8	4	22.4