

CCFL Transformers ~ EFD10XF-970-LF SERIES

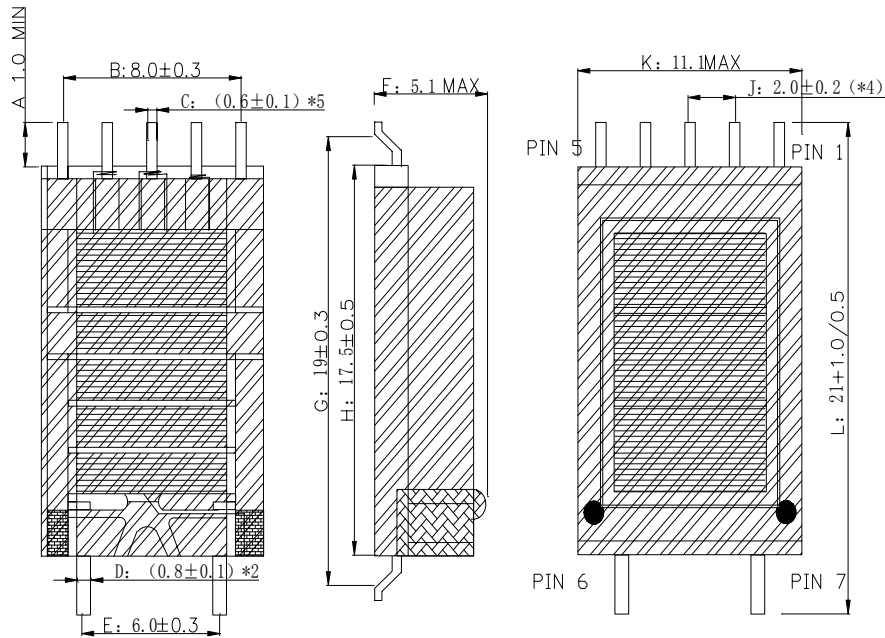


RoHS Compliant

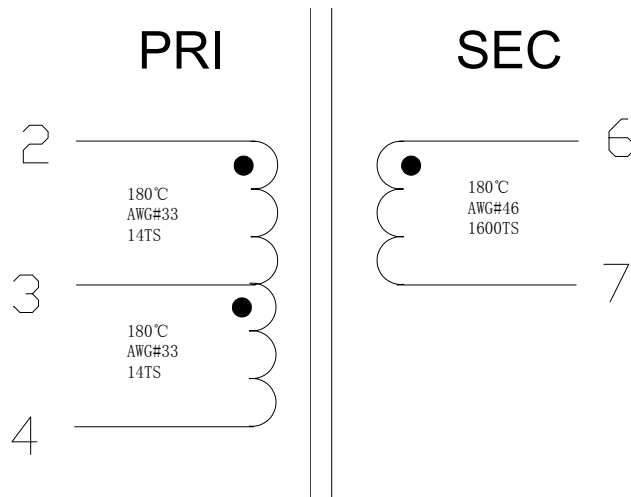
PART NUMBERING SYSTEM



SHAPES AND DIMENSIONS



SCHEMATIC



CCFL Transformers ~ EFD10XF-970-LF SERIES



RoHS Compliant

FEATURES

- Designed for **Cold Cathode Fluorescent Lamp** power supplies at operating frequencies up to 100 kHz.
- **Output power from 3.5 to 5.0 Watts**
- **1000 Vrms isolation** between primary and secondary and from all windings to core
2000 Vrms isolation between secondary and core
- Designs for **Royer** and **flyback topologies**
- **RoHS-compliant.** 260°C compatible.

ELECTRICAL CHARACTERISTICS :

PART NUMBER	Pin No	Inductance @10KHZ 0.1V	DCR	HI-POT @ 5SEC 0.2mA	LK @ 100KHZ 1V
EFD10XF-970-LF	P2 to P3	70.6uH-125uH	132mΩ ~180mΩ	P to C : 1000V AC	5.0uH-6.5uH
	P3 to P4	70.6uH-125uH	132mΩ ~180mΩ	P to S : 1000V AC	5.0uH-6.5uH
	P6 to P7	922mH-1600mH	350Ω~400Ω	S to C : 2000V AC	

- 1) Inductance is measured across both halves of the primary
- 2) Ambient temperature range: -40°C to +85°C
- 3) Storage temperature range: Component: -40°C to +85°C
Packaging: -55°C to +80°C
- 4) Resistance to soldering heat: Three reflows at >217°C for 90 seconds (+260°C ±5°C for 20 – 40 seconds), allowing parts to cool to room temperature between.
- 5) Electrical specifications at 25°C.